

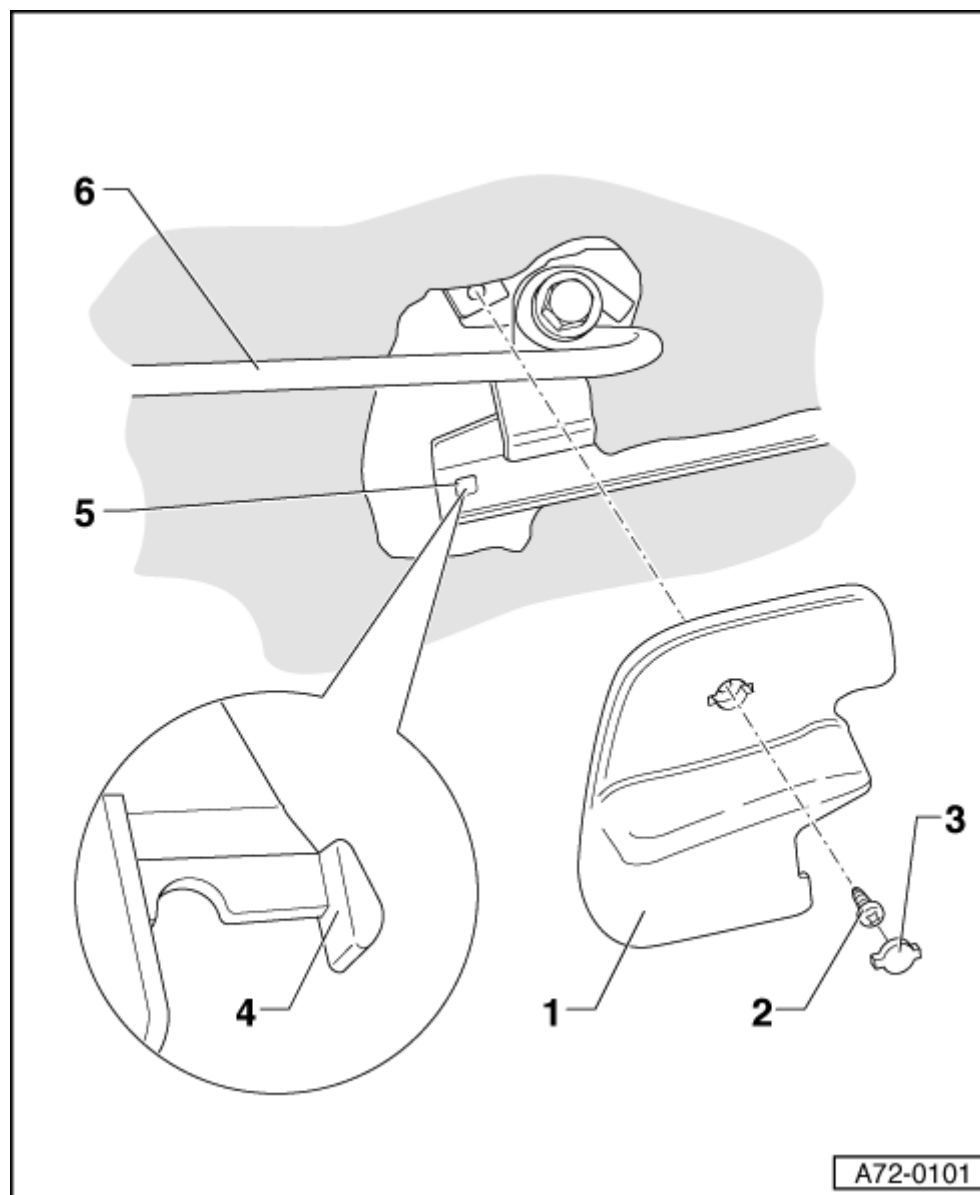
Front seats (3-door vehicles)

Removing and installing rear cover on front seat rail (outboard side)

1. Cover (outboard side)

□ Removing

- Lever out cover cap - 3- with a screwdriver.
- Unscrew bolt -2-.
- Pull outboard side cover - 1- towards the top with the retainer tab -4- from the mounting - 5-.
- Pull outboard side mounting - 1- to bottom behind the belt guide.



□ Installing

- Push outboard side mounting -1- from bottom behind the belt guide.
- Engage locking lug -4- into mounting -5-.
- Screw in bolt -2-.
- Clip in

cover cap.

- 2. Bolt (1x)
- 3. Trim cap
- 4. Retainer
- 5. Mounting
- 6. Belt guide

