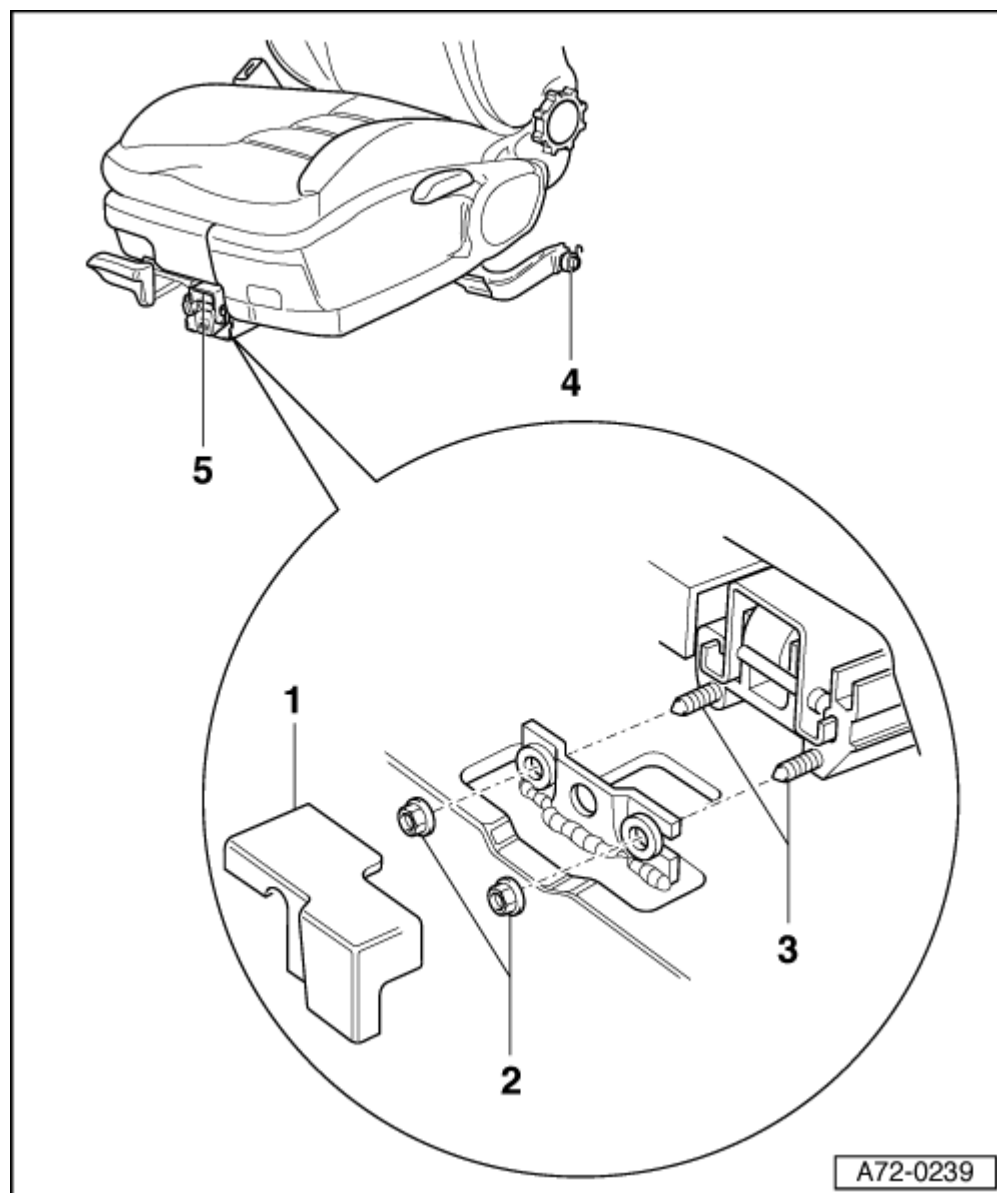


Front seats (3-door vehicles) Removing and installing seats of 01.1999

Notes:

- The removal and installation procedures may have to be modified slightly depending on equipment versions.
- On vehicles with memory seat and electric seat, run the seat all the way to the rear and to the top height setting before disconnecting battery.
- Obtain radio code before disconnecting battery.



Important

- **Observe safety precautions for working on airbag**
=>
- **Observe seat installation instructions for vehicles with side airbag**
Page [72-13](#)

Important
Before removal of seat: Detach battery earth strap.

Removing

- Push seat forwards.
- Removing

front seat rail
rear cover
(outboard
side) =>
Page [72-5](#)

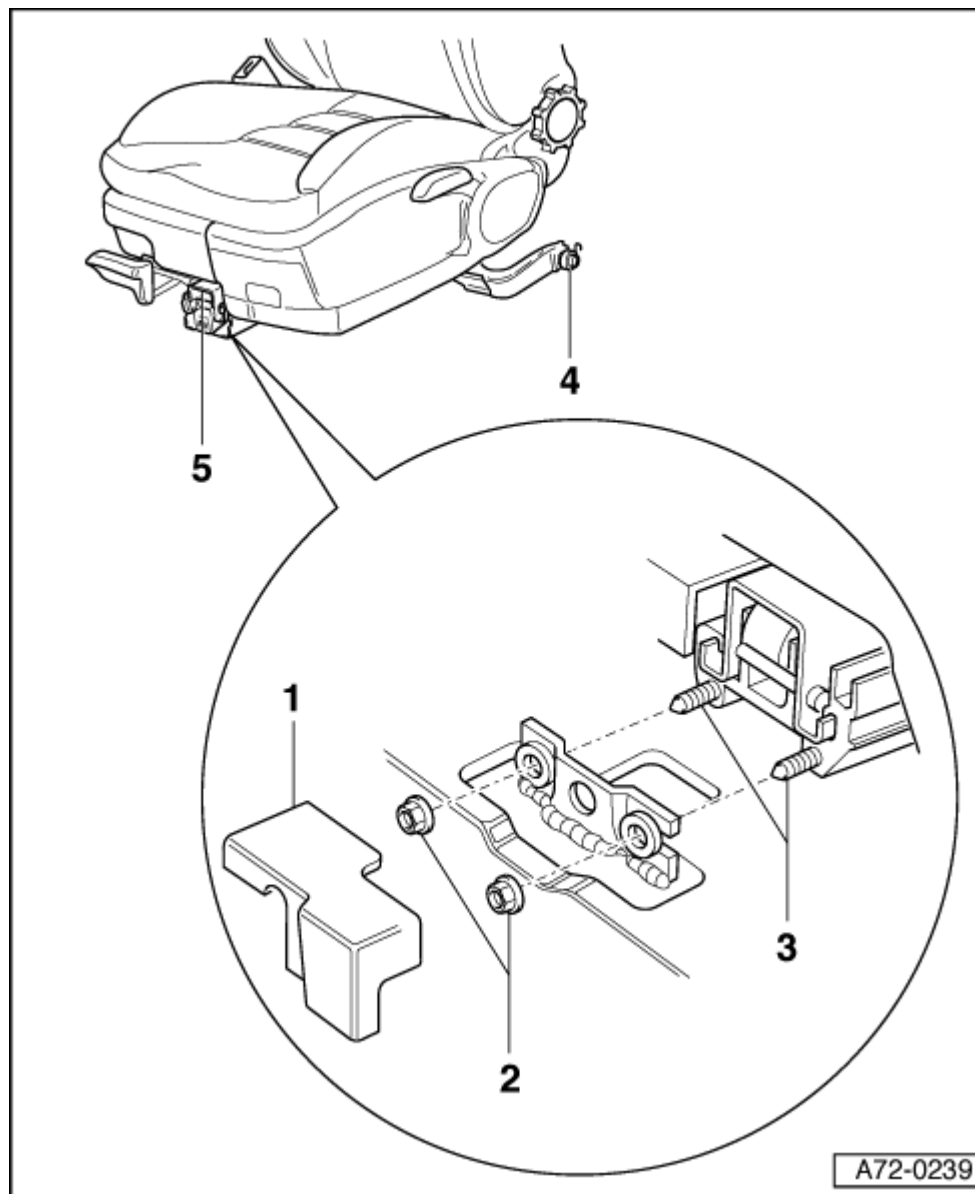
Removing
front seat
rail cover
behind
inboard
side =>
Page [72-3](#)

Push back
seat.

Remove
cap -1- =>
Page [72-2](#)

Unscrew
nuts -2-
(2x) and
remove
seat by
pushing
backwards.

On
vehicles
with
heated
seat,
unplug
connector.



Connect
airbag
adapter
VAS 5094
=> Page
[72-15](#)

Cover
floor
covering
at rear
around
guide rail.

Push seat
backwards
out of
guide.

Installing

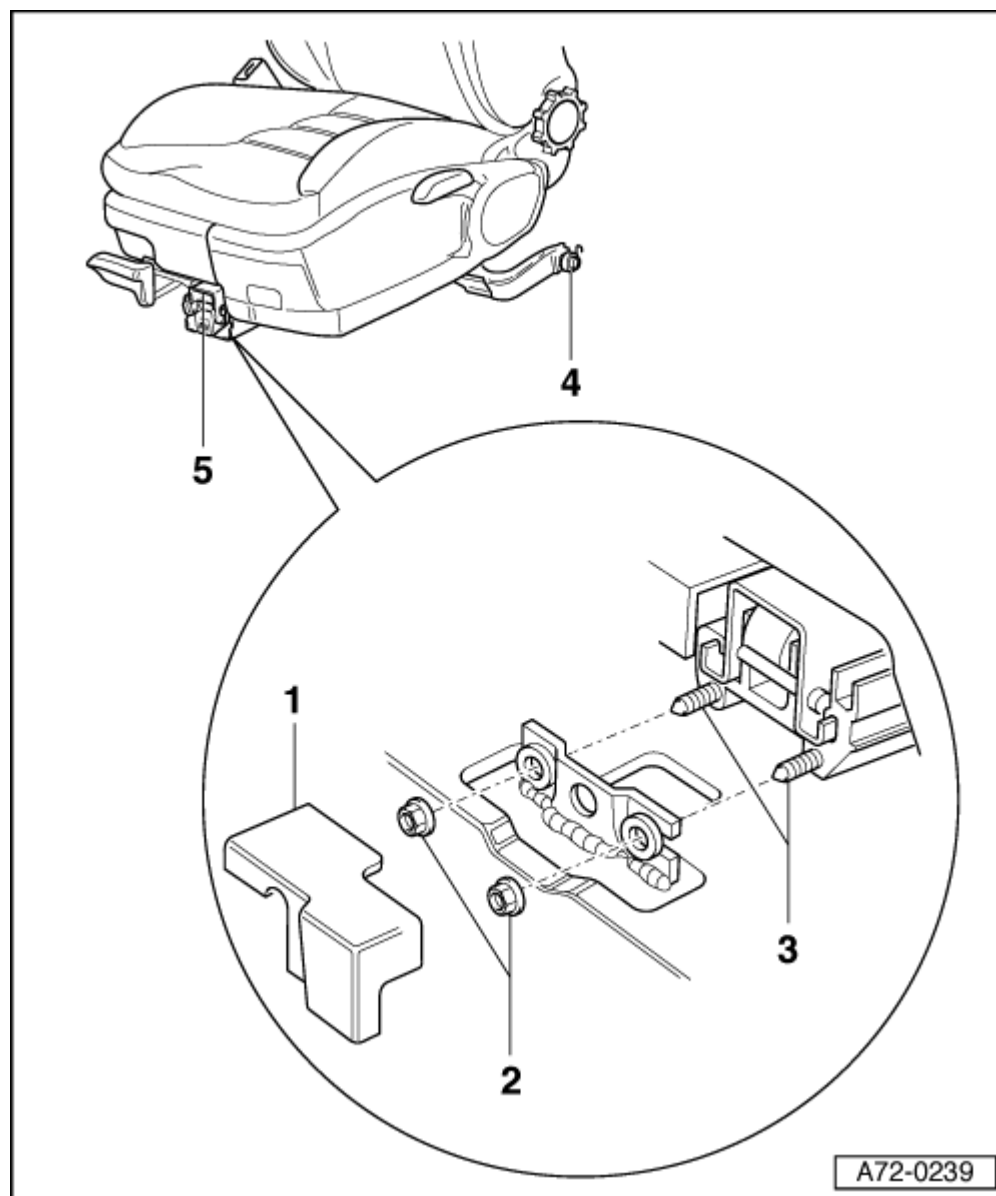
Installation is carried
out in the reverse order;
note the following:

Vehicles with side
airbag:

- Switch
ignition
on.

Important
**There must be
no-one in the
vehicle when the
battery is being
connected.**

- Connect
battery
earthing
strap.



1. Trim cap

2. Nut (2x)

- Tightening
torque 23
Nm
- Self-
locking
- Replace

3. Threaded pin

4. Rear rollers

5. Front slides

- Lubricate
front
slides -5-
with multi
purpose
grease if
seat does
not slide
back and
forward
smoothly.

A72-0239

