

## Front seats

### Removing and installing backrest cover as of date of manufacture, calendar week 15.1997

#### Note:

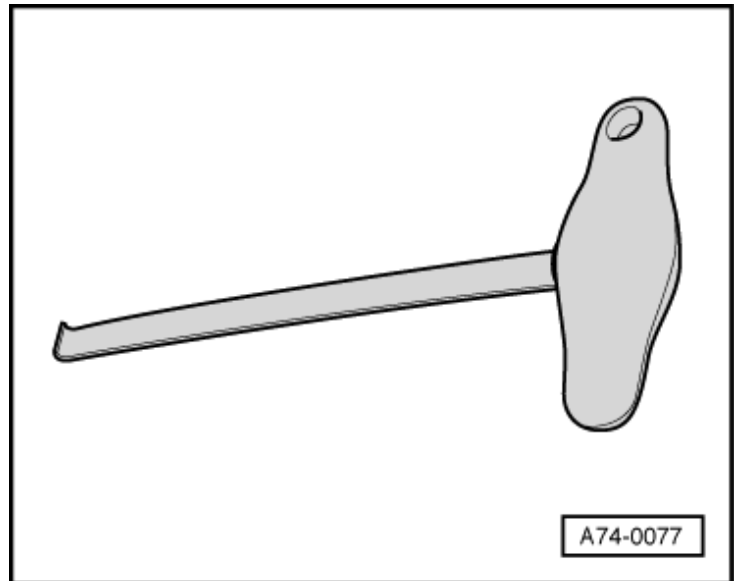
Distinguishing feature of this backrest cover version: continuous cover as for version =>Page [72-46](#)

Cannot be levered out with a screwdriver.

If special tool 3370 is applied at the locations shown and makes no contact, then vehicle is fitted with backrest cover version from calendar weeks 10 to 15 => Page [72-46](#)

#### Tools

- Special tool 3370

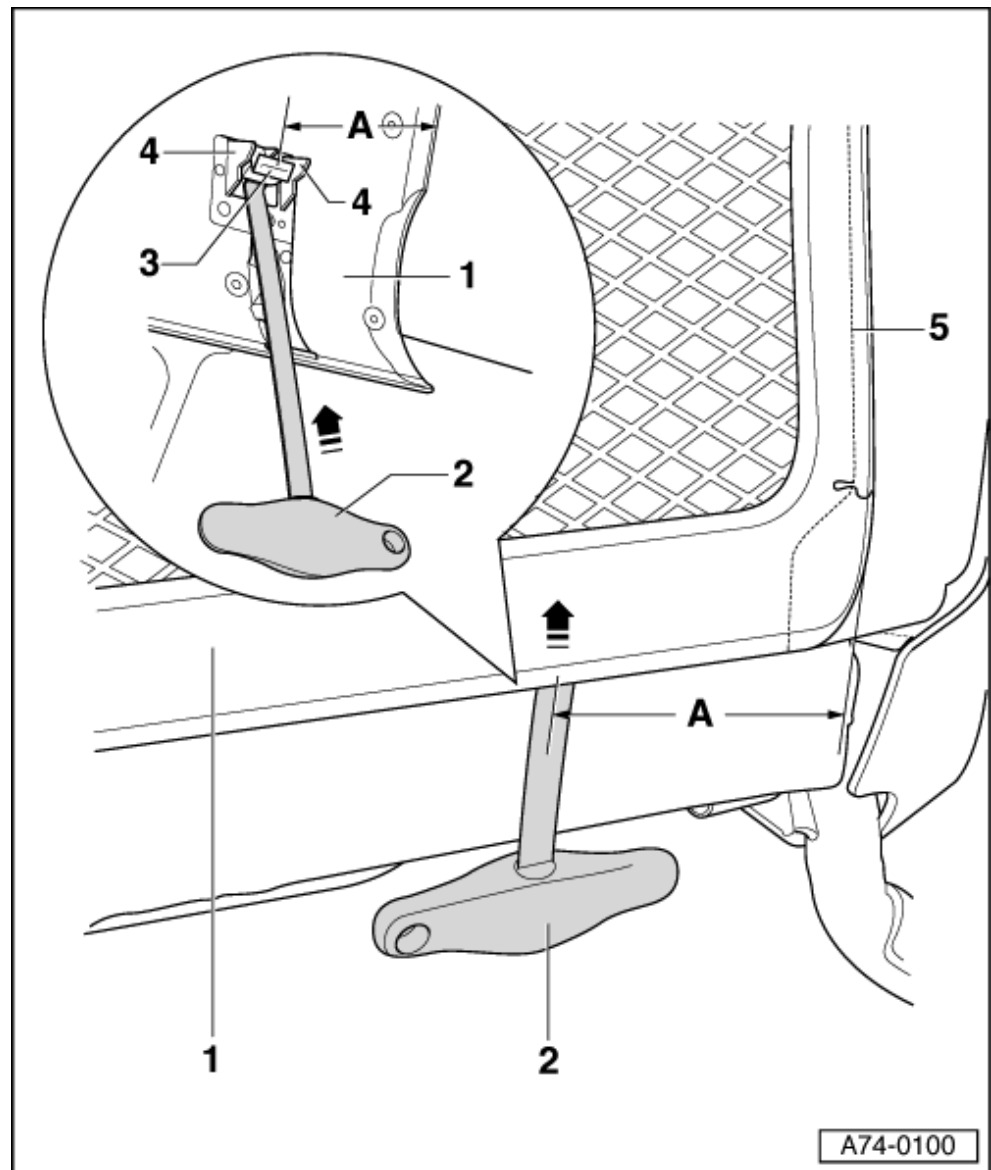


#### 1. Backrest trim

##### Removing

- Pull backrest cover -1- away from seat slightly and slip special tool 3370 -2- behind backrest cover.
- Measured inwards, the retaining hooks -3- are approx. 95 mm from outer edge of backrest cover -1- (dimension -A-).
- Locate centre of retaining

hook -3-  
between  
ribs -4- by  
moving  
special  
tool 3370  
laterally.



- Press special tool 3370 firmly in direction of arrow until retaining hooks are disengaged (taking care not to pull backrest cover away from seat).
- Remove backrest cover -1- from the front.

#### Installing

- When installing

the backrest panel -1- you must insert the backrest panel -1- into the groove in piping -5-.

- 2. Special tool 3370
- 3. Retaining hook (2x)
- 4. Ribs
- 5. Piping with groove

